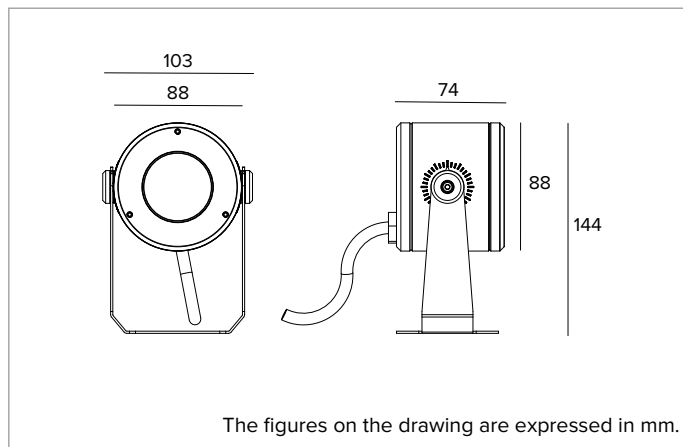


1E3971 | DART Round Small

Professional adjustable LED projector



		4000K	H(m)	D(m)	E _{max} (lx)
		Ra80		16°	
Fixture Power	15W	1	0.28	14753	
Source Flux	2038lm	2	0.56	3688	
Fixture Flux	1418lm	3	0.84	1639	
Efficacy	96lm/W	4	1.12	922	
TS1658	I _{max} =7239cd/klm	I _{max}	14753cd	5	1.39



SOURCE

High efficiency Chip on Board LED Ra80. Ra90 version available on request.

Energy efficiency class: D

Nominal power: 14,8W

Nominal flux: 2038lm

Colour rendering index: 80

Rf: 81

Rg: 97

CCT nominal: 4000K

Lifetime (L80/B10): >50000h tq +25°C

ILLUMINOTECHNICAL CHARACTERISTICS

SP version: optics made of double lens in optical grade PMMA.

Optic: LENS

Beam angles: SP

Optical efficiency: 70%

Fixture flux: 1418lm

Luminous efficacy: 96lm/W

Photobiological safety: Compliant with RG1 low risk group

MECHANICAL CHARACTERISTICS

Painted die-cast anodised aluminium body and painted stainless steel mounting bracket. Tempered extra clear front glass.

Colour and finish: Ferrite

Weight: 0.95Kg

Degree of protection: IP66

Mechanical Resistance: IK10

ELECTRICAL CHARACTERISTICS

Version with optional power supply available with electronic ON-OFF or dimmable DALI driver kit with 400mA. Precabled with a 1.5m long feeding cable H07RN-F.

Fixture Power: 15W

Power supply: 400mA

Insulation Class: CLASS 3

Driver included: NO

Ambient temperature: -25°C / +35°C

INSTALLATION

Mounting bracket with aiming adjustability. Adjustable up to ±60° on the horizontal pane and +90°/-45° on the vertical plane.

NOTES

Casambi control system available via accessory (only for products with DALI driver). Uses the "Waterblock Smart" technical solution that involves resin coating the connection cables, limiting the risk of humidity reaching the driver or the fixture. It is possible to subject the product to Cataphoresis treatment on request. 110-277Vac version available on request. Remote driver version: values related to the power consumption of the fixture do not take into account the consumption of the accessory driver, which depends on the choice of driver. Commissioning of the control system via free APP; the intervention of a specialist technician can be quoted on request.

WARRANTY

5 years.

WARNING

Luminaire designed for disposal/recycling at end-of-life. Replaceable (LED only) light source by a professional.

Due to the technological evolution of the electronic components, the data provided may be updated, and as such, confirmation must be requested during the order process.

Luminous flux and power supply have +/-10% tolerances with respect to the indicated value. tq +25°C (CIE 121).

We reserve the right to make technical changes.

Targetti Sankey S.r.l.
Via Pratese, 164
50145 Firenze - Italy
Tel: +39 055 37911
targetti.com
targetti@targetti.com

CCIAA Firenze
Share Capital:
€ 500.000,00
VAT N. (IT):
01537660480
R.E.A: FI-275656

TARGETTI

1E3971 | DART Round Small Professional adjustable LED projector

Related codes

Power Supply

Dimensions LxHxP mm	Power	Power supply	Output current	IP	Code
146x22x43	18W	220-240Vac	400mA	IP20	1T4215EL
115x26x53	20W 15W	220-240Vac 110-127Vac	400mA	IP68	1E3033EL

Electronic ON-OFF power supply.

Dimensions LxHxP mm	Power	Power supply	Output current	IP	Code
146x30x44	20W	220-240Vac	400mA	IP20	1T4215DA
115x26x53	20W 15W	220-240Vac 110-127Vac	400mA	IP68	1E3033DA

DALI power supply.

Accessories

Filter



Colour Code

● **1E4002**

Blade of light filter.
PMMA holographic filter for a blade of light effect.
Completed with powder coated aluminum alloy holder ring.

Grid



Colour Code

● **1E4005**

Anti-glare louver.
The central elements can be adjusted +/- 60° for a perfect glare control.
Powder coated stainless steel.

Screen



Colour Code

● **1E4003**

Asymmetric screen.
Powder coated stainless steel.



Colour Code

● **1E4004**

Cylindrical screen.
Powder coated stainless steel.
Short version.



Colour Code

● **1E4057**

Cylindrical screen.
Powder coated stainless steel.
Long version.

*Due to the technological evolution of the electronic components, the data provided may be updated, and as such, confirmation must be requested during the order process.
Luminous flux and power supply have +/-10% tolerances with respect to the indicated value. tq +25°C (CIE 121).*

We reserve the right to make technical changes.

Targetti Sankey S.r.l.
Via Pratese, 164
50145 Firenze - Italy
Tel: +39 055 37911
targetti.com
targetti@targetti.com

CCIAA Firenze
Share Capital:
€ 500.000,00
VAT N. (IT):
01537660480
R.E.A.: FI-275656

TARGETTI

1E3971 | DART Round Small Professional adjustable LED projector

Mounting System



Colour	Code
	1E3015

Plate for fixture rotation.
Powder coated stainless steel.



Dimensions ØxH mm	Colour	Code
70x182		1E3016

Earthspike.
Powder coated stainless steel.

Connector



Code

1E2493

Linear connection box IP68.
4 poles max. wire section 2.5mm².
Cable diameter range from 7 to 12mm.

Control systems



Code

1E3048

IP67 wireless control unit with DALI interface.
It generates a local DALI2 bus, enabling a direct connection to a DALI interface LED driver.
The module can only be used in a closed system and cannot be connected to an existing DALI network.
The module is wireless controlled using a Casambi app for smartphones and tablets using Bluetooth 5.0 technology.
The devices automatically create an adaptive, robust, and reliable wireless mesh network, allowing for the easy and efficient management of a high number of fixtures.
The control unit is preset to the DALI 1CH profile, meaning the device can control a single DALI driver with broadcast commands.
In addition to the DALI broadcast, other operating modes are available, such as:

- Button (normally open)
- Control unit 0/1-10V
- Control unit DALI Tunable White DT8
- Presence sensor



Code

1E4369

IP67 Extender for wireless control of LED driver with dimming DALI interface based on Casambi technology.
It has a DALI2 output with the capacity to control up to 40 lighting fixtures.
With the addition of a further external BUS DALI power supply it is possible to control up to 64 fixtures.
IP67 Extender is preset to the DALI broadcast profile, meaning all the luminaires connected to it are dimmable at the same level.
In addition to the DALI broadcast other operating modes are available, such as:

- EXTENDER DALI 8CH
- EXTENDER DALI Tunable White
- EXTENDER DALI 4CH
- EXTENDER DALI DT8 Tunable White

Due to the technological evolution of the electronic components, the data provided may be updated, and as such, confirmation must be requested during the order process.
Luminous flux and power supply have +/-10% tolerances with respect to the indicated value. tq +25°C (CIE 121).

We reserve the right to make technical changes.

Targetti Sankey S.r.l.
Via Pratese, 164
50145 Firenze - Italy
Tel: +39 055 37911
targetti.com
targetti@targetti.com

CCIAA Firenze
Share Capital:
€ 500.000,00
VAT N. (IT):
01537660480
R.E.A.: FI-275656

TARGETTI